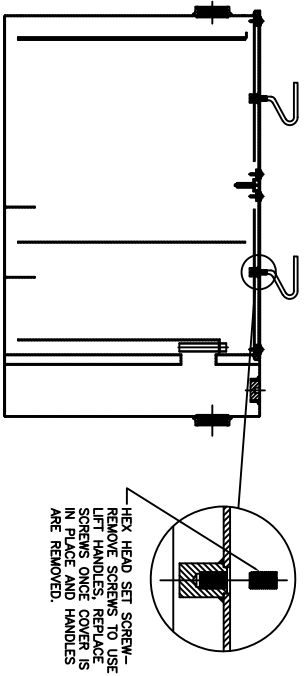


PREFERRED — GRAVITY GREASE & OIL SEPARATOR — OUTDOOR — 750 GALLON MINIMUM

NTS

SECONDARY — HYDROMECHANICAL GREASE AND OIL SEPARATOR — INDOOR

NTS



HEX HEAD SET SCREW-
REMOVE SET SCREW-
LIFT HANDLES. REPLACE
SCREWS ONCE COVER IS
IN PLACE AND HANDLES
ARE REMOVED.

ISSUE DATE: FEBRUARY 2019

TOWN & VILLAGE OF ELLICOTTVILLE

DATE

COMMENTS

EVL ENG DEPT.

REVISIONS

SEWER - S10

